



**PRODUCT CODE:**

**EZYRAIL WALL SLEEVE**

**PRODUCT TYPE:**

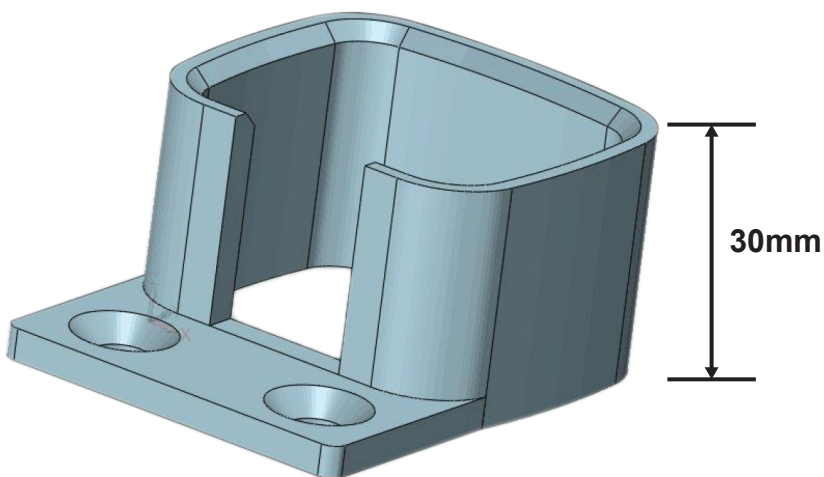
Aluminium Wall Sleeve

**TECHNICAL DETAILS:**

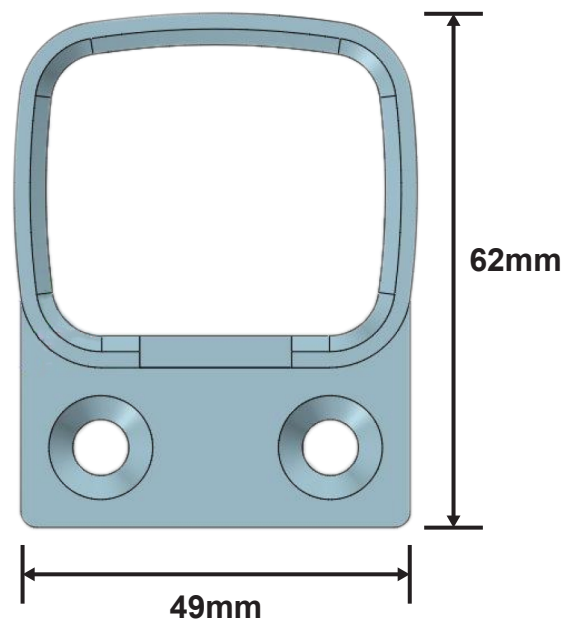
- Wall Sleeve
- 62 x 49 x 30mm
- Aluminum

**AVAILABLE FINISHED:**

- Mill
- Silver
- Black



30mm



62mm

49mm